

# BOLT®

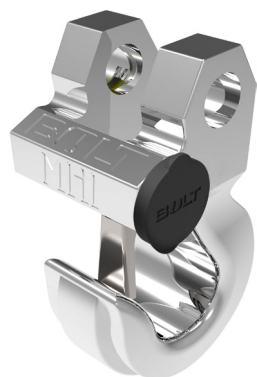
BREAKTHROUGH ONE-KEY LOCK TECHNOLOGY

## Locking Recovery Hook

FOR SPANISH AND FRENCH TRANSLATIONS GO TO:  
[HTTP://WWW.BOLTLOCK.COM/ABOUT-STRATTEC/BOLT-LITERATURE](http://www.boltlock.com/about-strattec/bolt-literature)

LOS TRADUCTORES AL ESPAÑOL Y FRANCÉS PUEDEN VISITAR:  
[HTTP://WWW.BOLTLOCK.COM/ABOUT-STRATTEC/BOLT-LITERATURE](http://www.boltlock.com/about-strattec/bolt-literature)

POUR LES TRADUCTIONS EN ESPAGNOL ET EN FRANÇAIS, ALLEZ À :  
[HTTP://WWW.BOLTLOCK.COM/ABOUT-STRATTEC/BOLT-LITERATURE](http://www.boltlock.com/about-strattec/bolt-literature)



Locking  
Recovery  
Hook



Pin



Snap Rings

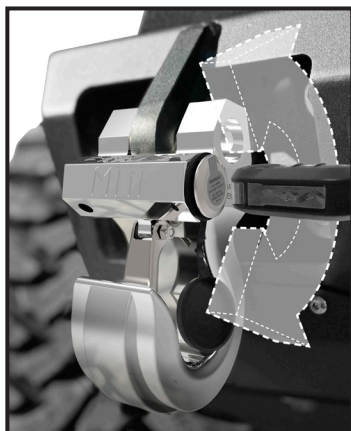


Rubber Washers  
(not included)

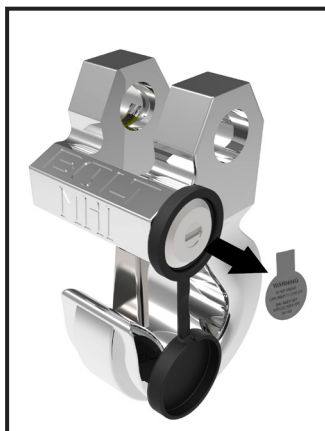


Snap Ring Pliers  
(not included)

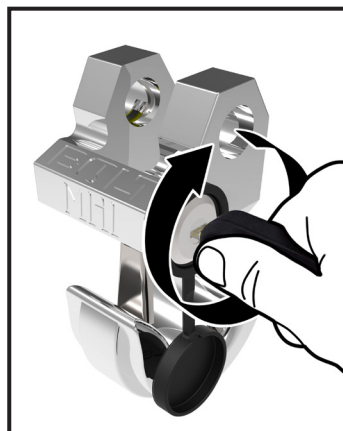
### Instructions for BOLT® Lock coding



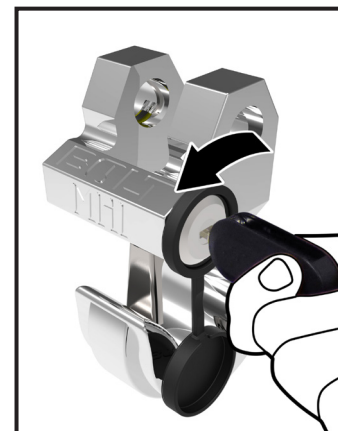
1. Before coding the lock, hold the hook up to the mounting bracket and check that there is enough clearance to insert your key when hook is installed.



2. Read and remove warning sticker - remove key from key chain.

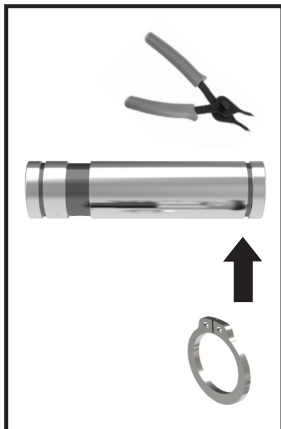


3. **Do not pull up/down on key while coding** Insert your Vehicle key. While maintaining full key insertion, turn the key clockwise until it stops.

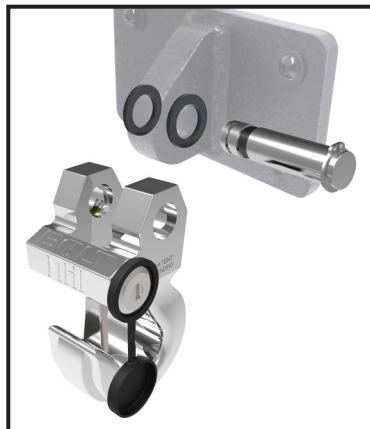


4. The lock is now successfully coded - cycle lock 3x to ensure that the lock was properly coded.

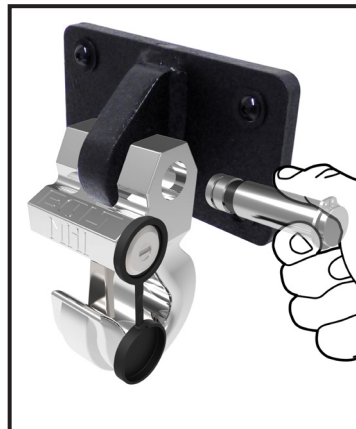
### BOLT® Lock installation



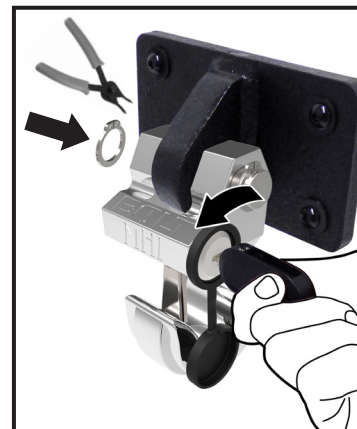
5. Using snap ring pliers, secure the first snap ring to the end of the pin with only one groove.



6. (Recommended) Insert rubber washers onto pin between the hook and mounting bracket to reduce movement while vehicle is in motion. Rugged Ridge part number 11235.40 (Not included).



7. With the hook in the unlocked configuration, mount it to your truck by fully inserting the free end of the pin into the hook and frame from the same side as your key inserts.



8. Retain the pin using the snap ring pliers and second snap ring. Fully secure the hook by re-inserting your key and rotating counterclockwise back to the locked configuration.

4738610AA